

TB250N Bulb and Capillary

Specifications:

- Rated 22 Amps Up to 277VAC.
- Differential 6°F (3.3°C)
- Enclosure rates NEMA 3R, for outdoor use.
- Maximum controller exposure temperatures -40°F (-40°C) to 160°F (71°C).
- Tinned copper bulb and capillary, 10' (3M) long.
- SPDT contacts.

Applications:

The BriskHeat TB250N series are oil filled bulb and capillary temperature controllers used for individual circuit control where weatherproof enclosures are necessary. The TB250N controllers are designed to maintain the required temperatures in heat tracing systems, freeze protection systems, processing systems, moisture protection systems.

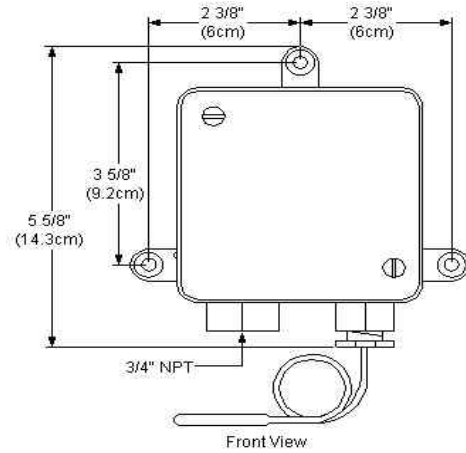
Part number	Volts	Amps	Range
TB250N-150	Up to 277	22	0-150°F (-17-66°C)
TB250N-250	Up to 277	22	100-250°F (38-121°C)
TB250N-350	Up to 277	22	200-350°F (93-177°C)

Bulb Dimensions

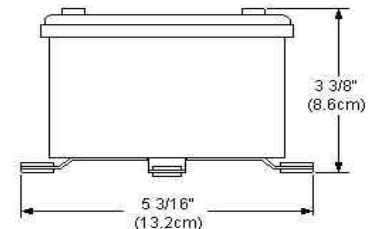
Part Number	Diameter		Length	
	Inches	cm	Inches	cm
TB250N-150	19/64	0.75	2 1/2	6.35
TB250N-250	19/64	0.75	2 1/2	6.35
TB250N-350	3/8	0.95	2 1/4	5.72

Accessories

Part number	Description
TB250N-2BW	½" NPT x 2.8" copper bulb well, for 150 & 250
TB250N-1BW	½" NPT x 2.3" copper bulb well, for 350



Front View



Top View

Approvals:

- UL

TB261N Ambient Sensing Capillary

Specifications:

- Rated 22 Amps Up to 277VAC.
- Differential 3°F (1.6°C)
- SPDT contacts.
- Enclosure rated NEMA 4X, for outdoor use.
- Maximum controller exposure temperatures -40°F (-40°C) to 160°F (71°C).
- Ambient sensing capillary.
- Corrosion resistant vinyl coated capillary sensor.

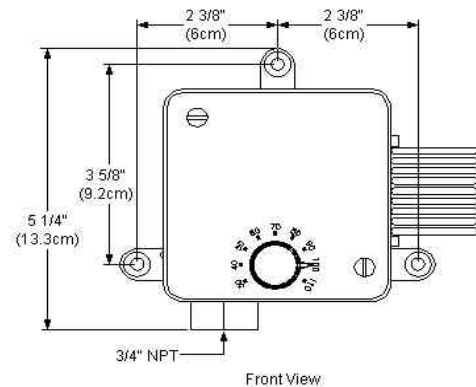
Applications:

The BriskHeat TB261N is an oil filled ambient sensing capillary thermostat used for individual circuit control where weatherproof enclosures are necessary. The TB250N controller is designed to sense ambient conditions for heat tracing systems, freeze protection systems, processing systems, moisture protection systems.

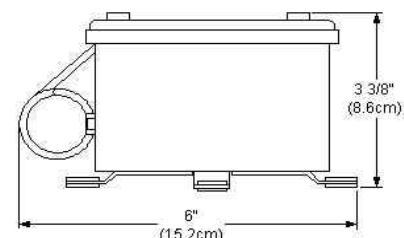
Approvals:

- UL

Part number	Volts	Amps	Range
TB261N-110	Up to 277	22	20-110°F (-70-43°C)



Front View



Top View