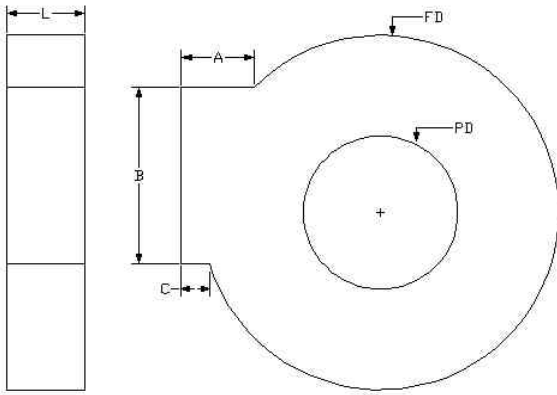


KF Flange Jackets



KF Flanges

KF Flanges

Tubing Size	(120V)		(240V)		(277V)		
	Watts	Part No.	Watts	Part No.	Watts	Part No.	
1	25	37	SA025FLA	37	SB025FLA	37	SD025FLA
1 1/2	40	40	SA040FLA	40	SB040FLA	40	SD040FLA
2	50	43	SA050FLA	43	SB050FLA	43	SD050FLA

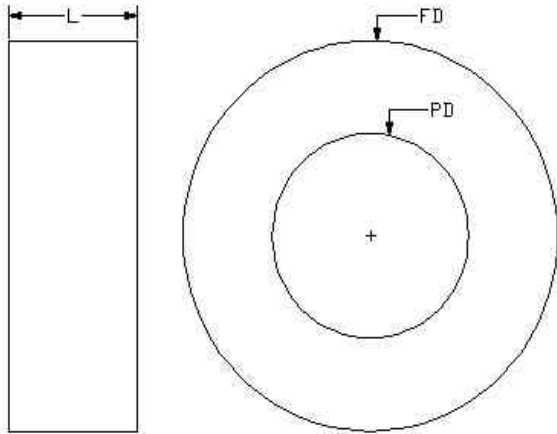
KF Flange Jacket ID

Tubing Size	L		PD		FD		
	Inches	cm	Inches	cm	Inches	cm	
1	25	1	2.54	1	2.54	2 15/16	7.46
1 1/2	40	1	2.54	1 1/2	3.81	3 3/4	9.53
2	50	1	2.54	2	5.08	4 5/8	11.75

KF Flange Jacket ID (Continued)

Tubing Size	A		B		C		
	Inches	cm	Inches	cm	Inches	cm	
1	25	1 13/16	4.60	2 7/16	6.19	1 1/16	1.75
1 1/2	40	1 1/8	2.86	2	5.08	3/8	0.95
2	50	15/16	2.38	25/16	5.87	3/8	0.95

CF Flange Jackets



CF Flanges

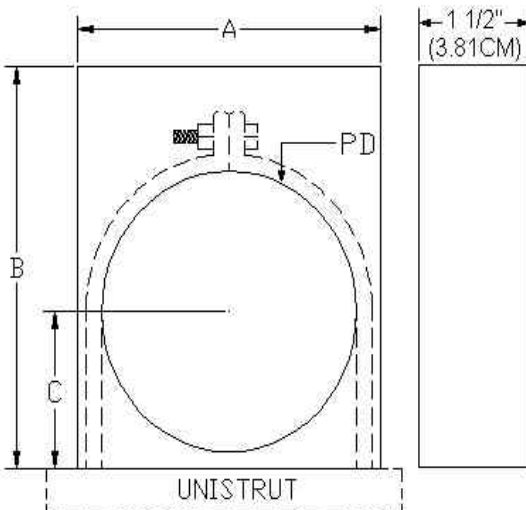
CF Flanges

Tubing Size	(120V)		(240V)		(277V)		
	Watts	Part No.	Watts	Part No.	Watts	Part No.	
3	80	39	SA080FLA	39	SB080FLA	39	SD080FLA
4	100	54	SA100FLA	54	SB100FLA	54	SD100FLA

CF Flange Jacket ID

Tubing Size	L		PD		FD		
	Inches	cm	Inches	cm	Inches	cm	
3	80	2 1/8	5.40	3	7.62	5 3/4	14.61
4	100	2 1/8	5.40	4	10.16	6 1/2	16.51

Unistrut Clamp Jackets



Unistrut Clamps

Tubing Size	(120V)		(240V)		(277V)		
	Watts	Part No.	Watts	Part No.	Watts	Part No.	
1	25	40	SA025UNI	43	SB025UNI	53	SD025UNI
1 1/2	40	40	SA040UNI	43	SB040UNI	53	SD040UNI
2	50	40	SA050UNI	43	SB050UNI	53	SD050UNI
3	80	30	SA080UNI	33	SB080UNI	40	SD080UNI
4	100	37	SA100UNI	40	SB100UNI	49	SD100UNI

Unistrut Jacket ID

Tubing Size	PD		A		B		C		
	Inches	cm	Inches	cm	Inches	cm	Inches	cm	
1	25	1	2.54	1 3/4	4.45	2 3/4	6.99	3/4	1.91
1 1/2	40	1 1/2	3.81	2 1/4	5.72	3 1/4	8.26	1	2.54
2	50	2	5.08	2 3/4	6.99	3 3/4	9.53	1 1/4	3.18
3	80	3	7.62	3 3/4	9.53	4 3/4	12.07	1 3/4	4.45
4	100	4	10.16	4 3/4	12.07	5 3/4	14.61	2 1/4	5.72